

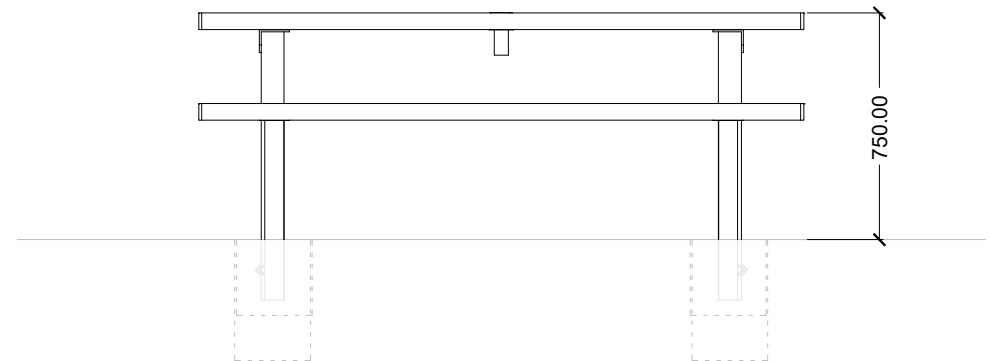
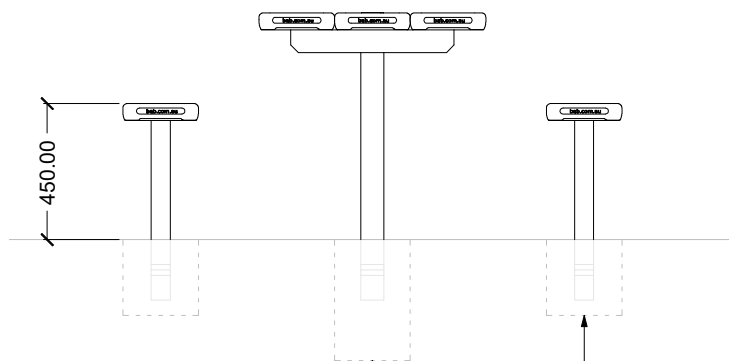
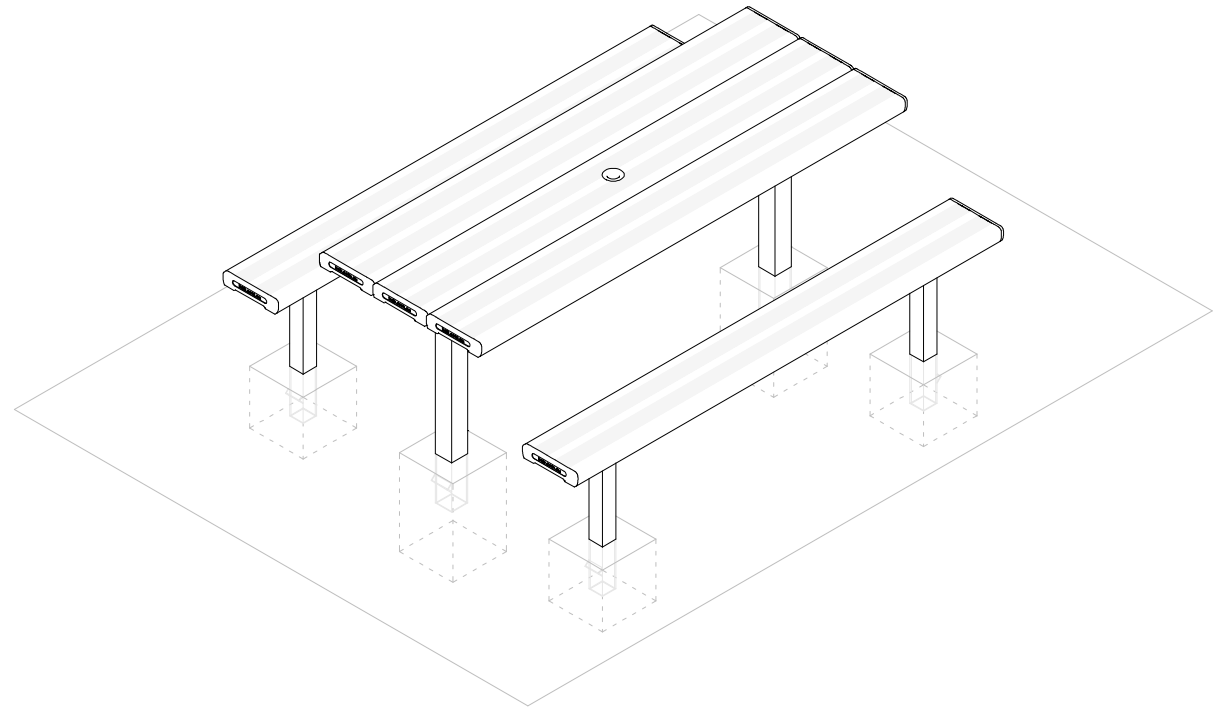
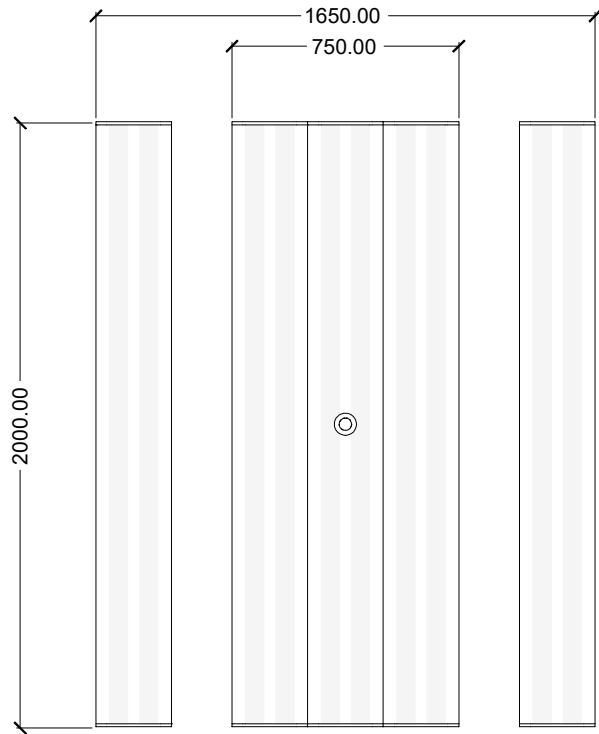








# T4000 CONCRETE IN STANDARD 1:25



SEAT FOOTING 250 x 250 x 250  
TABLE FOOTING 250 x 250 x 400