



## ALUMINIUM STACKABLE SEATS

300mm / 400mm / 450mm

### **Description**

A complete proprietary system including heavy duty aluminium support frames and anodised aluminium seat plank with cast aluminium end caps.

### **Aluminium Seat Section**

Extruded aluminium alloy (6060-T5) seat plank 250mm wide with two longitudinal flanged ribs as part of the extrusion. The longitudinal ribs run continuously for the length of the seat and provide fastening for the support frames - Nominal wall thickness – 2.5mm - Finish – Clear anodised 15 microns or Decowood

### **Support Frames**

Fabricated from 40 x 3mm tube (6060-T5), 32 x 3mm tube (6060 T5) and 80 x 10mm flat bar (6060-T5) The frames are welded according to (AS-1554) - Finish – as extruded or powder coated.

### **Seat End Caps**

Manufactured from cast aluminium to fit seat extrusion - Finish – as cast or powder coated - Manufacturers name cast into end cap

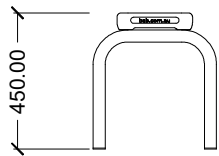
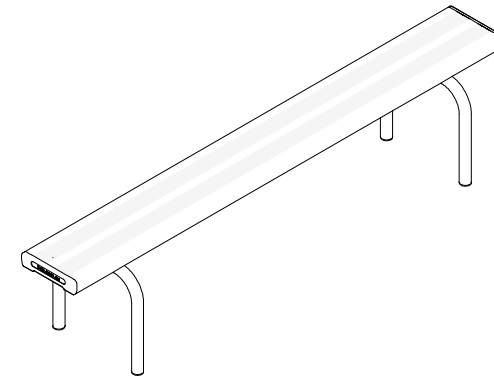
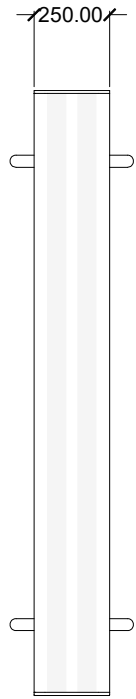
### **Assembly**

Fit end caps using two (2) x 4.8mm aluminium pop rivets through the underside longitudinal flanges Fit support frames using two (2) x 25 x 6mm (minimum) zinc-plated bolts with nylon insert nuts through the underside longitudinal flanges.

### **Installation**

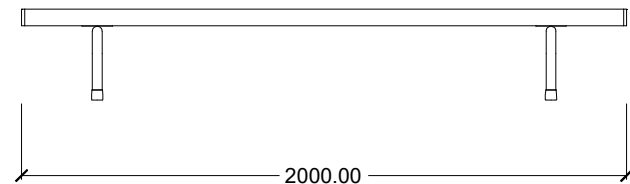
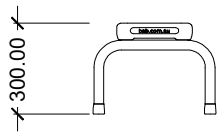
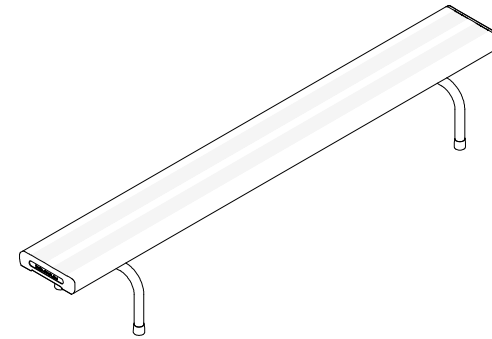
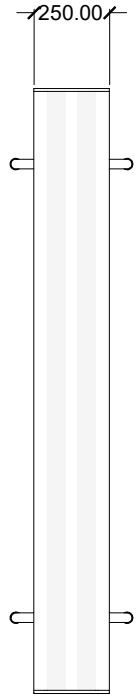
The Stackable Seats are Freestanding.

# 450MM STACKABLE 1:25



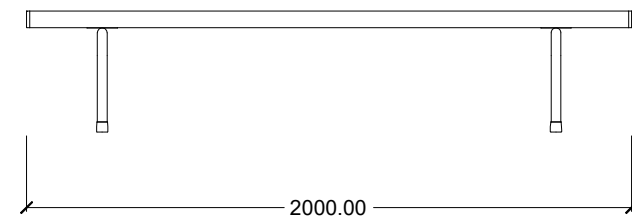
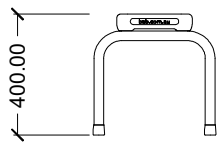
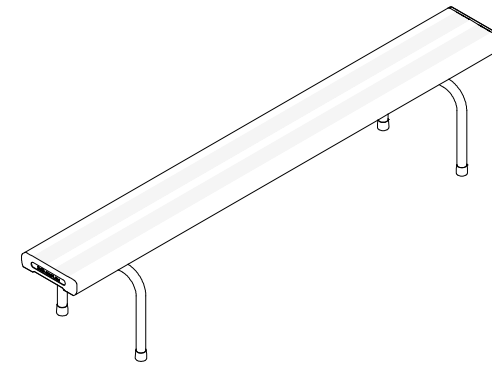
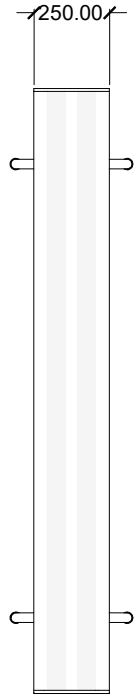
1500, 2000, 3000, 4000 or 6000 AVAILABLE

# 300MM STACKABLE 1:25



1500, 2000, 3000, 4000 or 6000 AVAILABLE

# 400MM STACKABLE 1:25



1500, 2000, 3000, 4000 or 6000 AVAILABLE